

Homework 10

Where a question asks you to show working a correct answer will only be awarded a mark for a correct WRITTEN method. The method you use is more important than the actual answer in helping you to progress in maths.

Due in:

<p>1. Use your calculator to work out the following to 3dp</p> $\sqrt[3]{194}$	<p>3. By rounding to 1sf, estimate the answer to</p> 3686.2×0.0421
<p>2. Calculate 712×99 (show working)</p>	<p>4. 128° is used in a pie chart to represent 32 people. How many people were there altogether?</p>

5. Find the nth term for the sequence

$$a, 2a, 3a, 4a, 5a, \dots$$

8. The point $(-3,5)$ is rotated 180° clockwise about the point $(0,0)$. What are the coordinates of the transformed point?

6. Solve the equation

$$3(x + 2) = 5x - 2$$

9. Work out

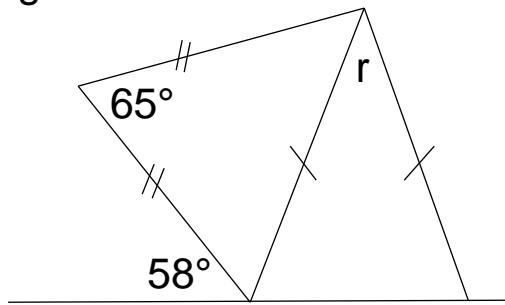
$$(-3)^3 - 3^3 + -3 \times 3$$

7. If $x = 6$, $y = 2$ and $z = 3$ work out

$$4xy^3z^2$$

10. What are the **2** square roots of 81?

11. Calculate the missing angle.



14. Two fair dice are rolled together 360 times. How many times would you expect to get a combined score of 2?

12. A regular polygon has an interior angle of 150° . How many sides does it have?

15. Find 17.5% of 50

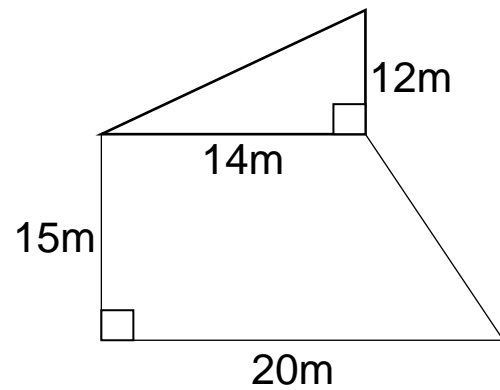
13. In a sixth form of 100 students, 32 study Biology, 25 study maths and 13 study both Biology and maths. Find the probability that a student chosen at random studies maths or Biology or both.

16. $\frac{3}{10}$ of a number is 21. What is the number?

17. Which point is not on the line $y = 10 - 2x$?
Circle your answer.

(1,10) (5,0) (10,-10)

19. Find the area of this shape.



18. Share £104 in the ratio 4:3:4:2

20. Find the mean from this frequency table

x	11	12	13	14
f	2	7	8	3

Total:

